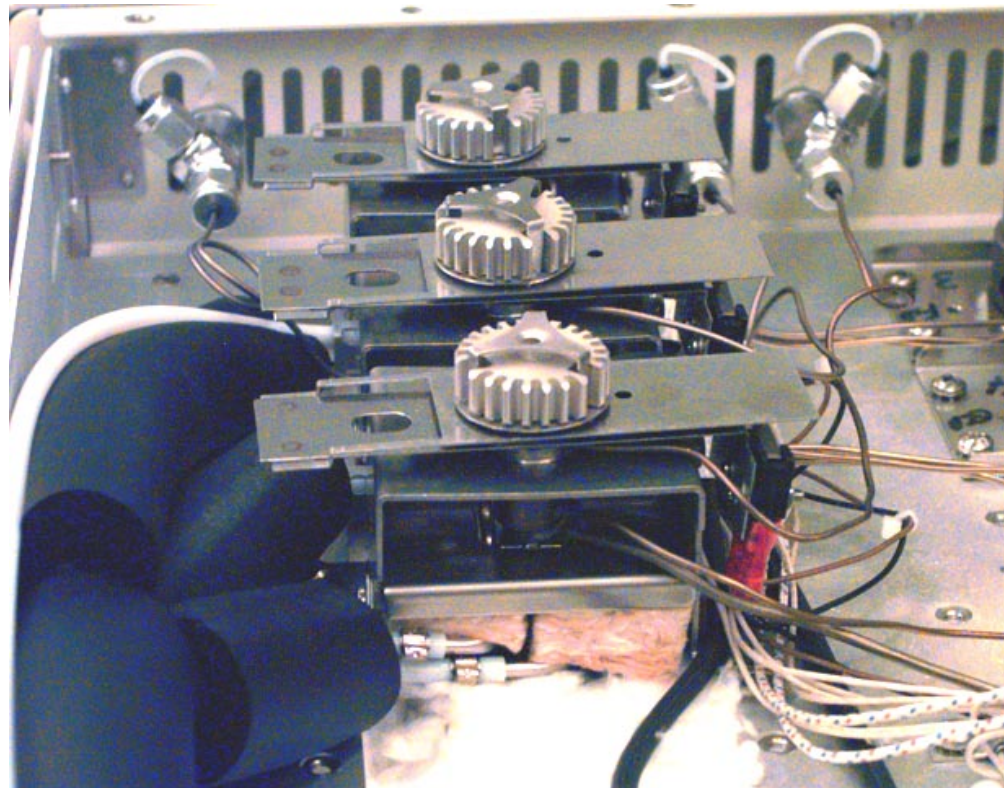
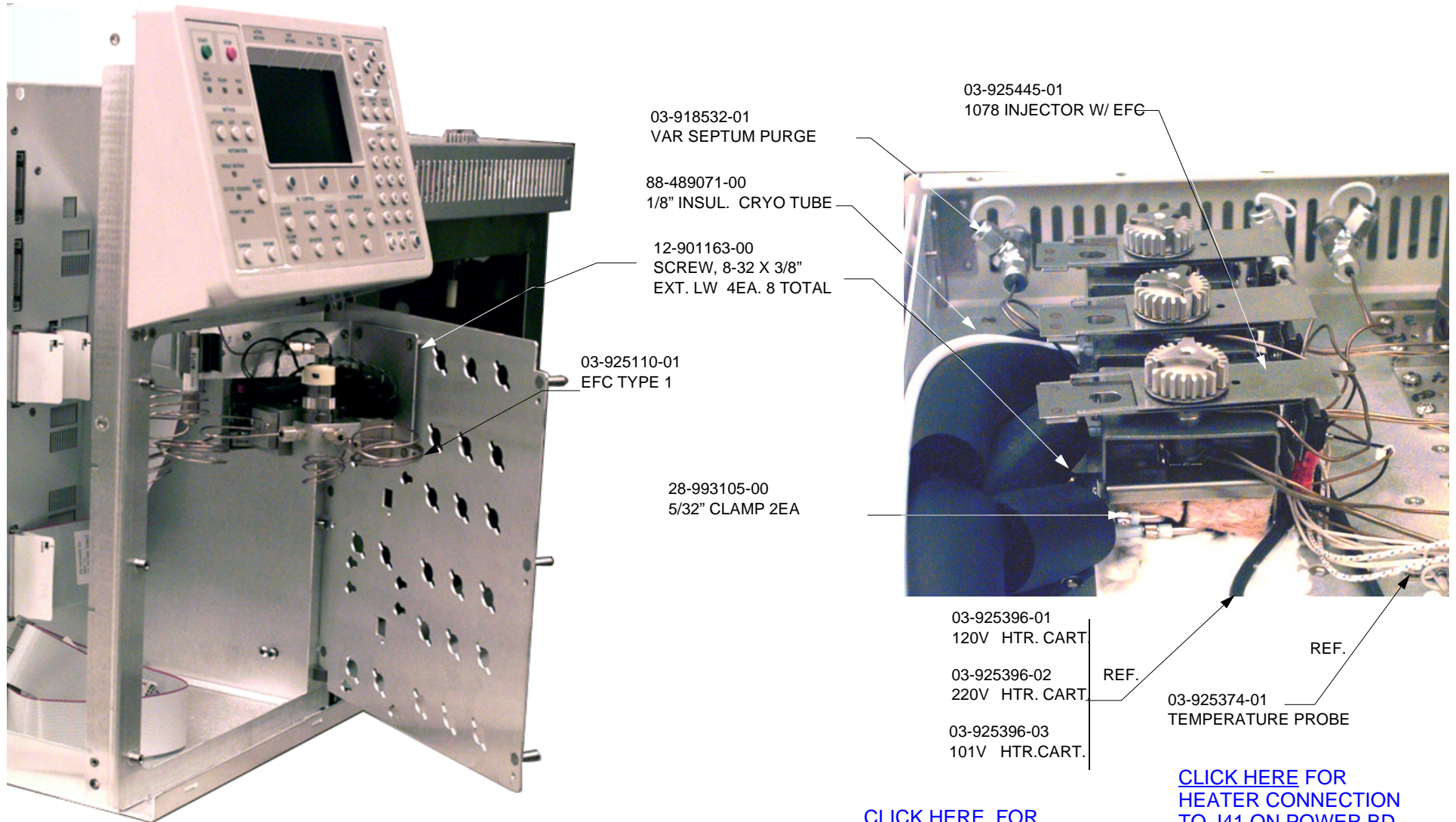


1079 W / LN2 CRYO & EFC, Installation





03-918532-01
VAR SEPTUM PURGE

88-489071-00
1/8" INSUL. CRYO TUBE

12-901163-00
SCREW, 8-32 X 3/8"
EXT. LW 4EA. 8 TOTAL

03-925110-01
EFC TYPE 1

28-993105-00
5/32" CLAMP 2EA

03-925445-01
1078 INJECTOR W/ EFC

03-925396-01
120V HTR. CART.

03-925396-02
220V HTR. CART.

03-925396-03
101V HTR.CART.

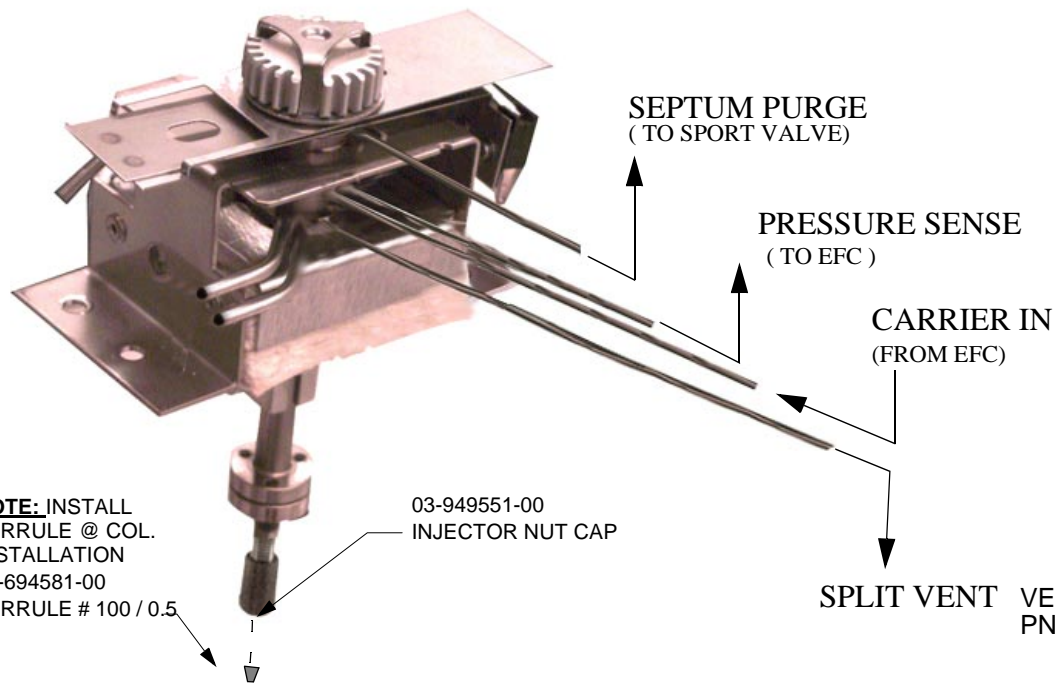
REF.

03-925374-01
TEMPERATURE PROBE

REF.

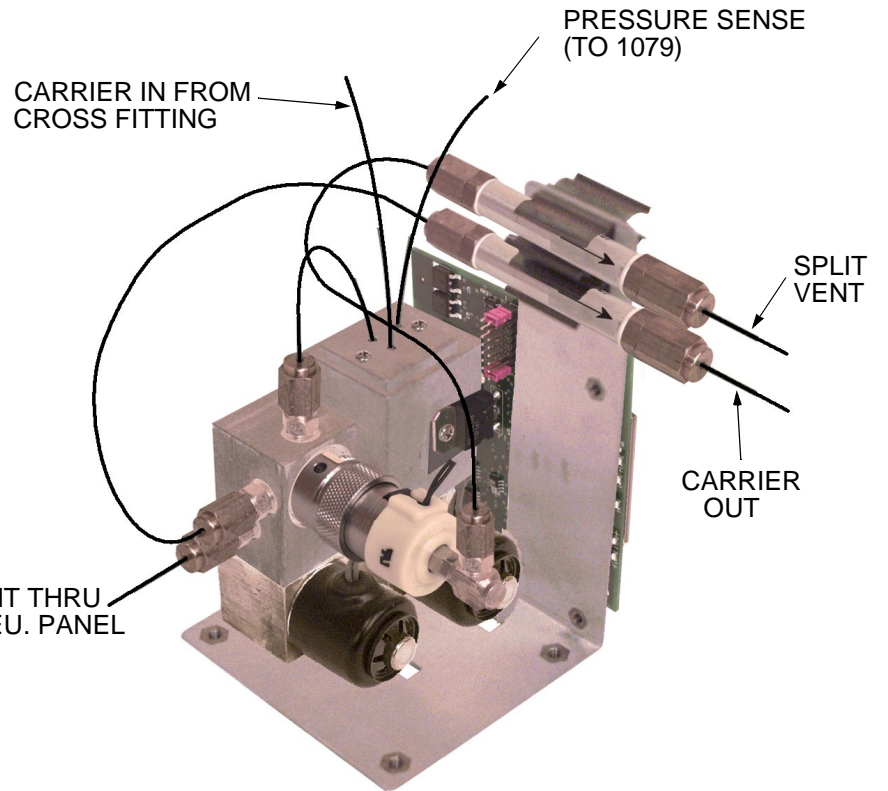
[CLICK HERE FOR
PROBE CONNECTION
TO J7 ON MAIN BOARD](#)

[CLICK HERE FOR
HEATER CONNECTION
TO J41 ON POWER BD.](#)



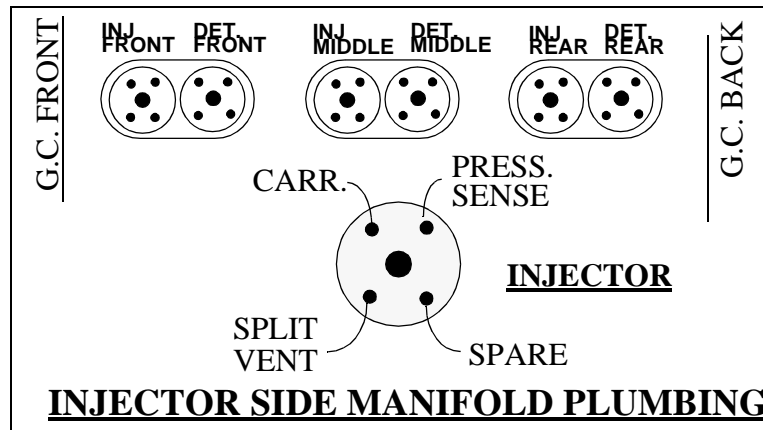
1079 INJECTOR

CLICK HERE OR ON PICTURE TO SEE S/A EXPLOSION

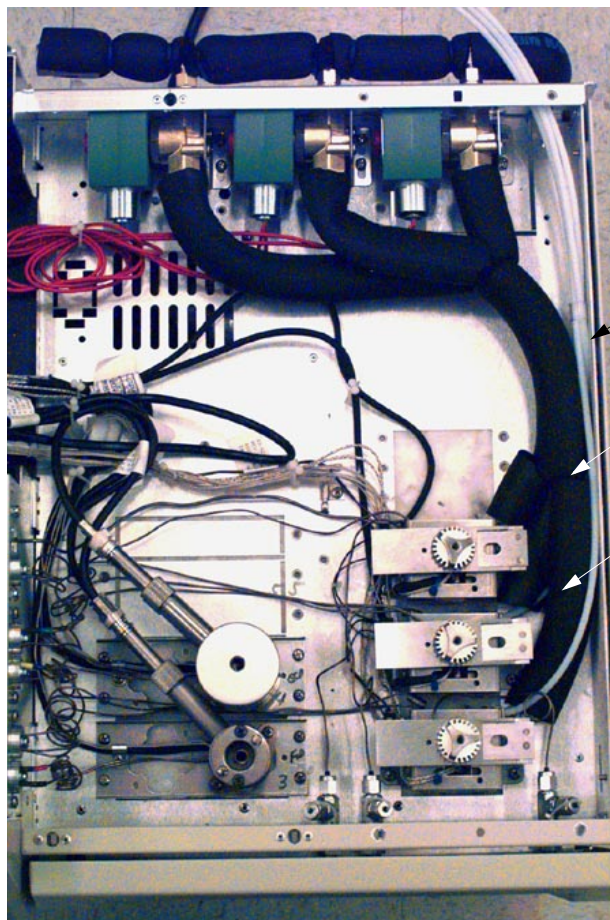


EFC TYPE 1

CLICK HERE OR ON PICTURE TO SEE S/A EXPLOSION



INJECTOR SIDE MANIFOLD PLUMBING



28-695130-00
ADAP., COMP. 1/4" X 1/8"

28-691946-00
1/4" TEE #B-400-3

AS REQ.

VENT / CONDENSE'

88-489071-00
1/8" TEFLON CRYO TUBE

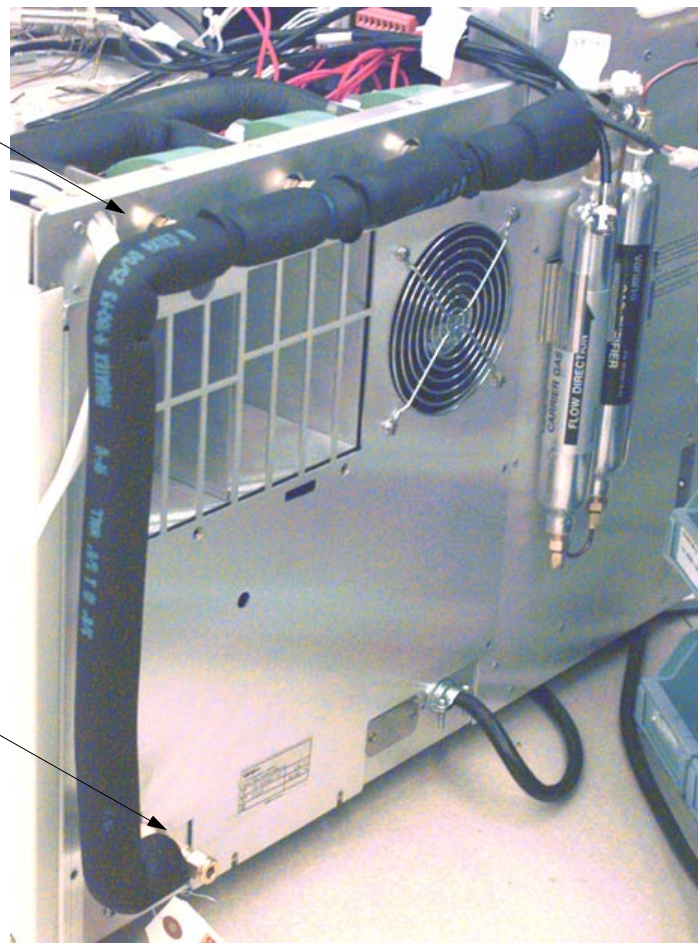
UNDER INSULATION

88-489071-00
1/8" TEFLON CRYO TUBE

88-494510-00
3/8" PIPE INSULATION

28-695130-00
ADAP., COMP. 1/4" X 1/8"

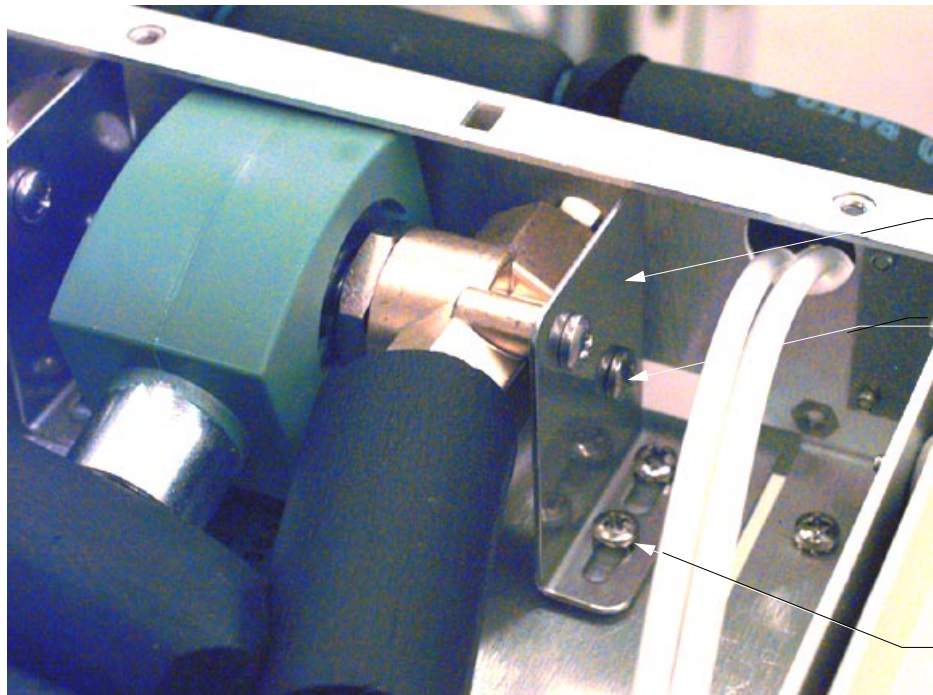
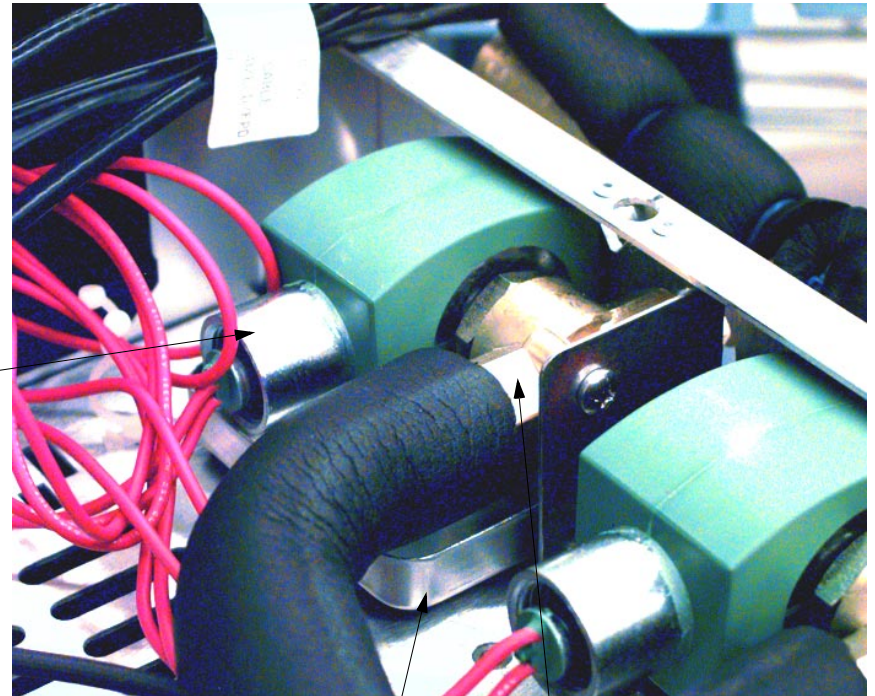
28-691946-00
1/4" TEE #B-400-3



	INSULATION LENGTHS			CRYO TUBING LENGTHS	
	PIPE INSUL TOP	COMMON PIECE USED BY EACH INJ	PIPE INSUL. BACK	TEFLON TUBING, INJECTOR IN	VENT
FRONT	7" + 3"	7"	18" + 3 1/2"	16.0" / 16.5"	3'-0"
MIDDLE	4" + 6.5"		18" + 3 1/2" + 3 1/2"	16.0" / 16.5"	3'-0"
REAR	2" + 10"		18" + 3 1/2" + 3 1/2" + 3 1/2"	17.5" / 18.0"	3'-0"

[CLICK HERE](#)
TO SEE CONNECTION TO
J44 ON POWER BOARD

03-925557-01
CRYO VALVE
SHOULD HAVE
GROUND WIRE CUT.
(GREEN & YELLOW)



03-925562-01
CO2 CRYO BRKT

23-230938-00
CRYO DRIP TRAY

NOTE FLOW DIRECTION,
PORT FACING INJECTOR
TO READ "OUT", OTHER
PORT (FACING REAR OF
INSTRUMENT) TO READ
"IN".

12-222060-04
SCREW 10-32 X 1/4" 2EA

14-312010-00
#10 EXT LOCK WASHER 2EA.

12-901163-00
8-32 X 3/8" EXT SIMS 2EA.